

SAHREEL20 ***20m Auto Hose Reel***

Instruction Manual

Please read this instruction manual carefully before use.

SPECIFICATIONS

hose diameter: 9.2mm
inlet hose length: 2m
outlet hose length: 20m
max. operating pressure: 17bar



READ THE ENTIRE GUIDE BEFORE INSTALLATION OR USE.



CONNECT ONLY TO ATMOSPHERIC AIR AT OR BELOW 17 bar.



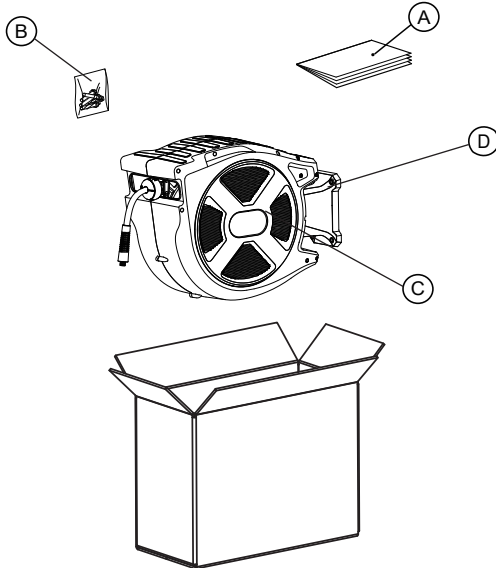
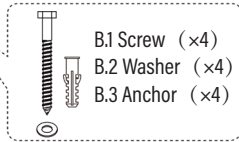
RELEASE PRESSURE WHEN NOT IN USE.



PRODUCT CONTAINS CHARGED SPRING. DO NOT DISASSEMBLE HOUSING.

PACKAGE CONTENTS

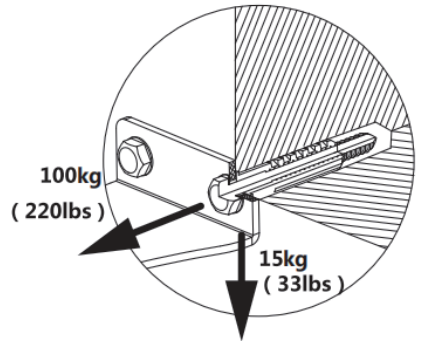
- A. Instruction Manual
- B. Hardware Pack
- C. Hose Reel
- D. Mount Bracket



CHOOSING THE BEST MOUNTING LOCATION

This product can be mounted in many different ways. It is important to select your mounting location carefully. Consider mounting to surfaces...

1. Near your worksite. This product includes 20m (65ft) of outlet hose. Make sure it can reach your worksite.
2. Near your compressed air supply. This product includes 2m (6ft) of inlet hose. Make sure it can reach your air supply.
3. Out of direct sunlight.
4. Strong enough to support the loads shown to the right (per screw). If unsure, contact a professional installer.
5. Refer to the installation options below for more detail.



INSTALLATION



WARNING: IF NOT PROPERLY INSTALLED, THERE IS A RISK OF FALLING. MAKE SURE YOUR INSTALLATION CAN SUPPORT THE LOADS ABOVE.



CAUTION: WHEN USING POWER TOOLS SUCH AS AN ELECTRIC DRILL, PLEASE WEAR EYE PROTECTION.



WARNING: ENSURE THERE ARE NO LIVE ELECTRICAL WIRES OR PLUMBING IN THE WALL AT THE LOCATION YOU ARE DRILLING.

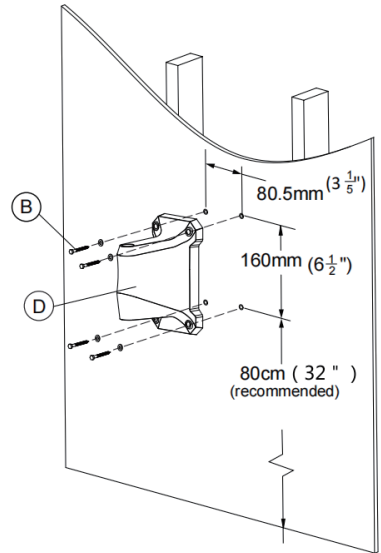
DIRECT MOUNT TO WOOD STUD...

Recommended tools...

- masking tape
- stud-finder
- bubble level
- electric drill
- Ø3mm(Ø1/8in) drill bit
- Philips head screw driver

Steps

1. Using stud-finder, locate stud and mark the location.
2. Tape the drilling template on the wall at a convenient height, making sure the holes are centered on the stud.
3. Check the hole centers with the level to ensure they are plumb.
4. Drill (4) four holes with a $\Phi 3\text{mm}$ ($\Phi 1/8\text{in}$) masonry drill bit on the template centers.
5. Fasten the mounting bracket with four screws and washer to the wall or timber post.
6. Hang the hose reel on the wall bracket, and secure it by inserting the mount tube.
7. Connect with inlet hose end with the air compressor.



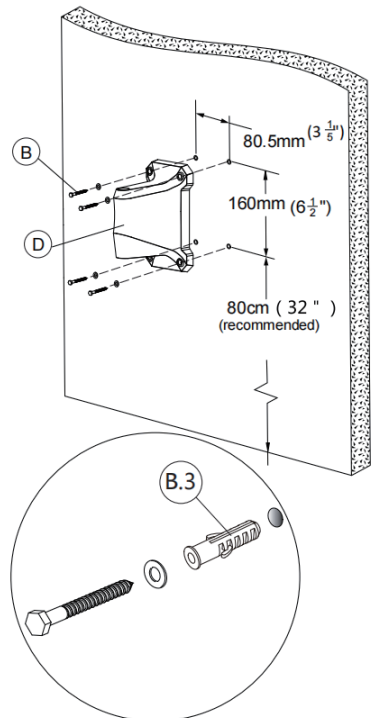
MOUNT TO HOLLOW WALL AND MASONRY WALL...

Recommended tools...

- masking tape
- bubble level
- electric drill
- $\Phi 10\text{mm}$ ($\Phi 3/8\text{in}$) drill bit
- hammer or mallet
- Philips head screw driver

Steps

1. Tape the drilling template on the wall at a convenient height, making sure the holes are between studs.
2. Check the hole centers with the level to ensure they are plumb.
3. Drill (4) four holes with a $\Phi 10\text{mm}$ ($\Phi 3/8\text{in}$) masonry drill bit on the template centers.
4. Tap plastic anchors (B.3) into holes with a hammer or mallet.
5. Fasten the mounting bracket with four screws and washer to the wall or timber post, and ensure drive mounting screws into the plastic anchors in the wall.
6. Hang the hose reel on the wall bracket, and secure it by inserting the mount tube.
7. Connect with inlet hose end with the air compressor.



OPERATING INSTRUCTIONS



WARNING: ALWAYS HOLD THE HOSE REEL UNTIL IT COMPLETELY RETRACTS INTO THE HOSE REEL



WARNING: THE YELLOW TAPE MARKS THE END OF HOSE LENGTH

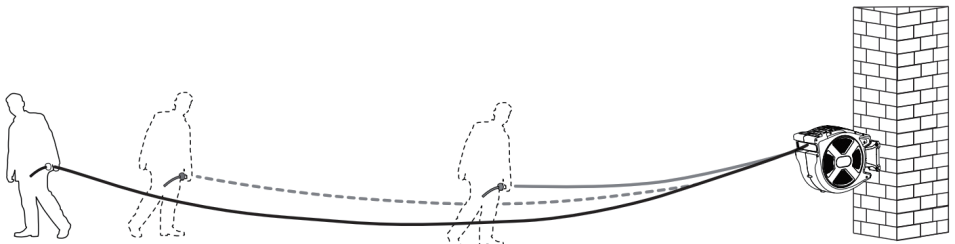


RELEASE PRESSURE WHEN NOT IN USE.



CAUTION: DO NOT RELEASE THE HOSE ALLOWING TO REWIND ON ITS OWN.

1. Pull the hose out to the desired length. The hose will automatically lock in position.
2. To unlock and retract, give the hose a short pull. Walk the hose back to the hose reel. If you pull the hose longer than 10cm you may re-lock the hose.
3. To avoid injury and damage, always hold the hose while it is retracting. This hose reel has a controlled return function.
4. If the hose becomes tangled and will not retract - slowly pull out the hose past the tangled section and then allow the hose to slowly retract while guiding the hose back into the hose reel. Always ensure the hose is clean and not twisted.



CONNECTING TOOLS AND AIR SUPPLY

Using the provided couplers, connect to your air supply and tools. For threaded connections, PTFE tape is recommended to create a good seal.



CAUTION: CONNECT ONLY TO ATMOSPHERIC AIR AT OR BELOW 17bar (250 psi).

ADJUSTING THE STOP-BALL...

The stop-ball location can be adjusted to ensure the hose is always within reach.

Recommended tools...

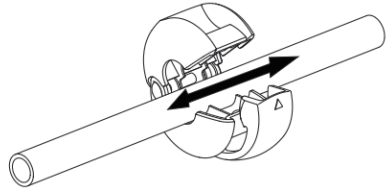
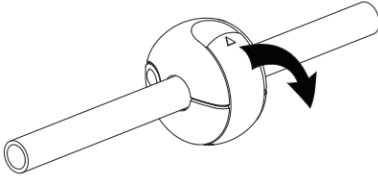
- No tool is needed

Steps

1. Pull out the hose to the desired length, ensuring the hose reel is locked (will not rewind).
2. Open the latch on the stop ball and move it to the desired location.
3. Re-latch the ball.



CAUTION: ALWAYS MAKE SURE THE HOSE REEL IS LOCKED BEFORE REMOVING THE STOP-BALL, AND MAKE SURE THE STOP-BALL IS SECURELY FASTENED BEFORE UNLOCKING THE REEL.



MAINTENANCE

While your product has been made with high quality materials, degradation can occur over time. Inspect the hose and housing periodically. If cracking or blisters are visible, discontinue use.



PRODUCT CONTAINS CHARGED SPRING. DO NOT DISASSEMBLE HOUSING.

1. Always keep the hose clean.
2. If the hose becomes dirty, clean it with a damp cloth while retracting.
3. DO NOT twist the hose while in use.
4. Mount the hose reel in a sheltered area to assist and protect the performance of the hose and the reel.
5. DO NOT allow the hose to contact any corrosive chemicals or fluids.
6. Always retract the hose when not in use.



SGS Engineering (UK) Ltd
Unit 1 West Side Park
Raynesway
Derby, DE21 7AZ

EC Declaration of Conformity

This is an important document and should be retained

MANUFACTURER'S NAME: SGS Engineering (UK) Ltd

TYPE OF EQUIPMENT: Auto Hose Reel

PART NUMBER: SAHREEL20

APPLICATION OF EC COUNCIL DIRECTIVES / STANDARD:

Machinery Directive:
PPP 53268C:2023
PPP 55126A:2020
Annex | of 2006/42/EC

I, the undersigned, hereby declare that the equipment specified above conforms to the above European Communities Directive(s) and Standard(s).

PLACE: Derby, UK

DATE: 01 May 2025

A handwritten signature in black ink, appearing to read 'Neil Sansom', written over a white rectangular background.

(Signature)

Neil Sansom
CEO





SGS-ENGINEERING.COM